

# RIGHT ANGLE GEAR REDUCERS L60

## L60 Style Structural & Design Features:

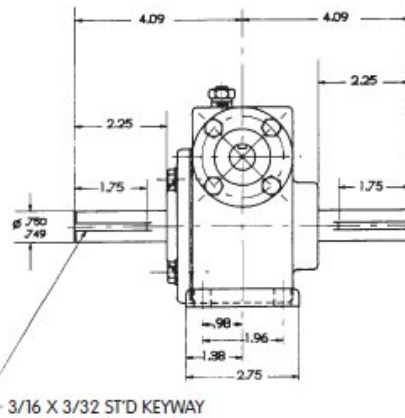
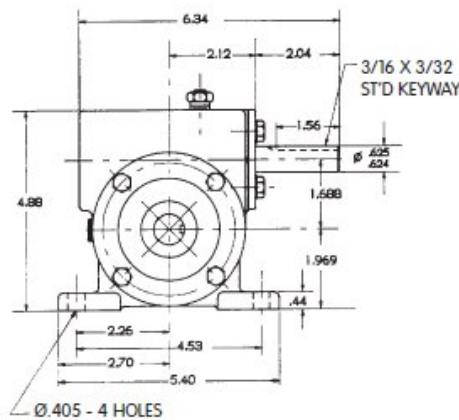
- Right Angle Worm-Gear Reducer
- Forged Manganese Bronze Worm-Gear
- Induction Hardened, Ground and Polished Worm
- Annealed Cast Iron Housing, Precision Machined for Accurate Shaft Alignment
- Ball Bearings on Input Shaft Front and Back
- Tapered Roller Bearings on Output Shaft
- High-Strength, Heat Treated Input and Output Shafts



## Output Options:

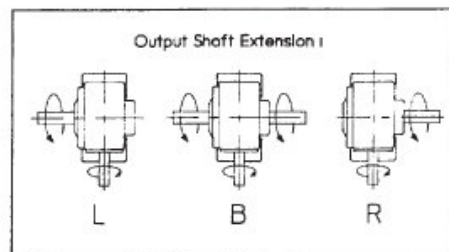
- Available with 3 Shaft Extensions - L, B, R

## Dimensions and Ratings



RATIO	5.5	10	14.5	20	30	40	61
OUTPUT SPEED, RPM	314	172.5	118.97	86.25	57.5	43.12	28.28
HP IN	1.31	1.14	0.90	0.69	0.47	0.42	0.27
HP OUT	1.19	1.00	0.75	0.54	0.33	0.27	0.14
TORQUE OUT, IN.-LBS.	239	367	401	401	367	399	332

Overhung Load on Output Shaft, 400 lbs. at 1.00 in. from Housing or Output Cap  
All data is for a Service Factor of 1 at 1725 RPM input speed



To order Indicate Model,  
Output Shaft Extension  
and Ratio, as shown below

L60-B-40  
 L60 — Model  
 B — Output Shaft Extension (L, B, or R)  
 40 — Ratio



**Toledo Gearmotor**

419/885-3769 • Fax 419/885-3799 • [www.toledogear.com](http://www.toledogear.com)