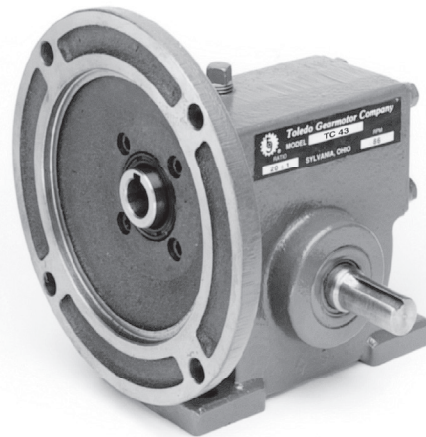


RIGHT ANGLE GEAR REDUCERS TC 43

TC Style Structural & Design Features:

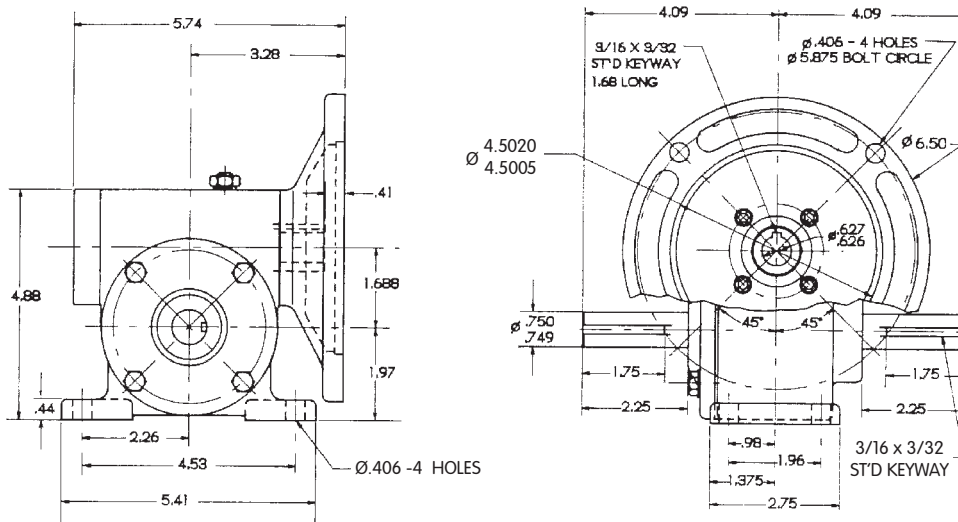
- Right Angle Worm-Gear Reducer
- Forged Manganese Bronze Worm-Gear
- Induction Hardened, Ground and Polished Worm
- Annealed Cast Iron Housing, Precision Machined for Accurate Shaft Alignment
- Ball Bearings on Input Shaft
- Tapered Roller Bearings on Output Shaft
- High-Strength, Heat Treated Input and Output Shafts
- Flange for Face-Mounting NEMA 56C Frame Motor



Output Options:

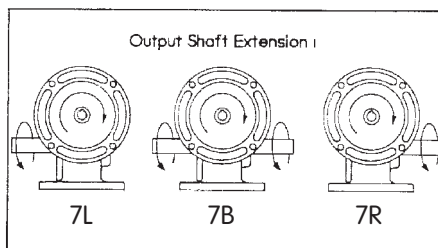
- Available with 3 Shaft Extensions - 7L, 7B, 7R

Dimensions and Ratings



RATIO	5.5	10	14.5	20	30	40	61
OUTPUT SPEED, RPM	314	172.5	118.97	86.25	57.5	43.12	28.28
HP IN	1.31	1.14	0.90	0.69	0.47	0.42	0.27
HP OUT	1.19	1.00	0.75	0.54	0.33	0.27	0.14
TORQUE OUT, IN.-LBS.	239	367	401	401	367	399	332

Overhung Load on Output Shaft, 400 lbs. at 1.00 in. from Housing or Output Cap
All data is for a Service Factor of 1 at 1725 RPM input speed



To order Indicate Model,
Output Shaft Extension
and Ratio, as shown below
5/8" DIA. OUTPUT SHAFT AVAILABLE
TC43-7B-40

Ratio
Output Shaft
Extension
(7L, 7B, 7R)
Model



Toledo Gearmotor

419/885-3769 • Fax 419/885-3799 • www.toledogear.com