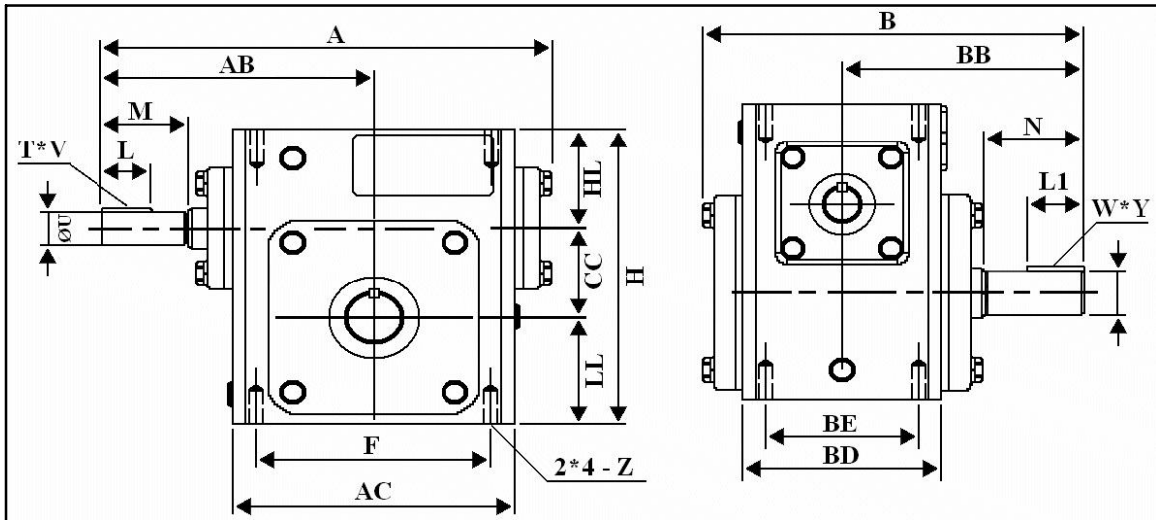




TM-RS Series

Worm Gear Speed Reducers

Shaft Input – Shaft Output Dimensions



DIMENSIONS – Inches

Size	A	AB	AC	B	BB	BD	BE	CC	F	H	HL	LL	M	N
133	6.45	3.907	3.78	6.067	4	2.835	2	1.333	3.25	4.656	1.605	1.718	1.309	2

Size	Z	Input Shaft			Output Shaft			OIL (Oz.)
		L	U	T x V	L1	S	W x Y	
133	5/16-18 UNC	0.625	0.5	1/8 x 1/16	1	0.625	3/16 x 3/32	5.82