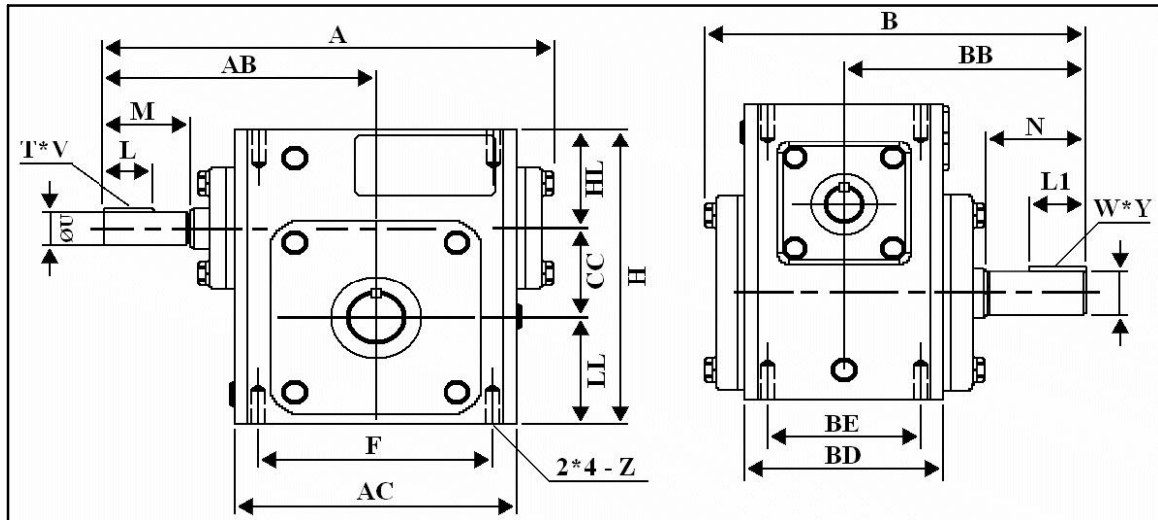




## TM-RS Series

### Worm Gear Speed Reducers

### Shaft Input – Shaft Output Dimensions



### DIMENSIONS – Inches

Size	A	AB	AC	B	BB	BD	BE	CC	F	H	HL	LL	M	N
175	8.06	4.872	5.059	6.831	4.311	3.563	2.75	1.75	4.188	5.75	1.938	2.062	1.555	1.781

Size	Z	Input Shaft			Output Shaft			OIL (Oz.)
		L	U	T x V	L1	S	W x Y	
175	5/16-18 UNC	0.875	0.625	3/16 x 3/32	1	0.875	3/16 x 3/32	11.64