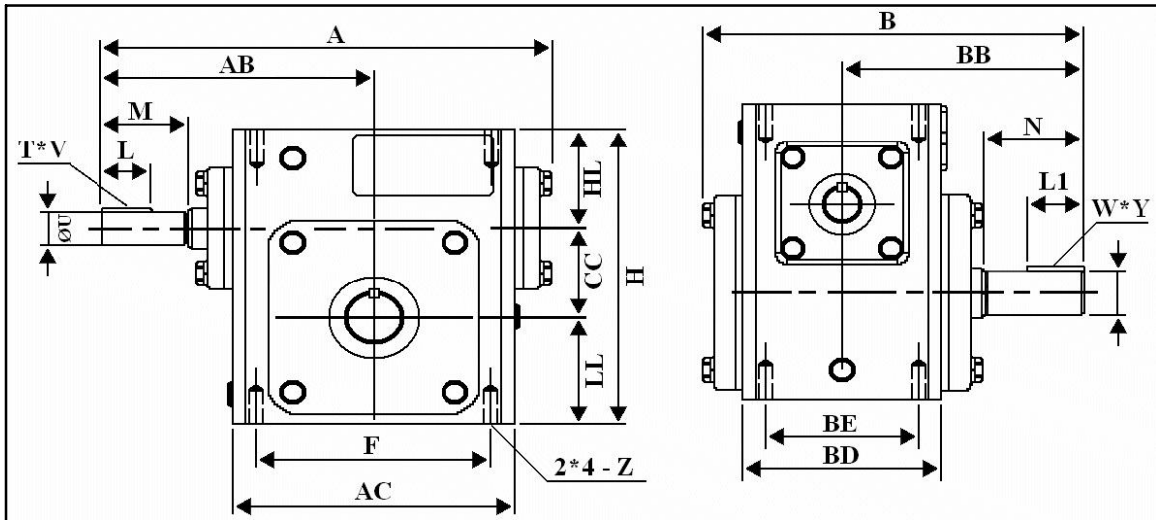




TM-RS Series

Worm Gear Speed Reducers

Shaft Input – Shaft Output Dimensions



DIMENSIONS – Inches

Size	A	AB	AC	B	BB	BD	BE	CC	F	H	HL	LL	M	N
206	8.65	5.128	5.748	7.249	4.69	3.819	2.88	2.062	5	6.375	2.032	2.281	1.555	2.09

Size	Z	Input Shaft			Output Shaft			OIL (Oz.)
		L	U	T x V	L1	S	W x Y	
206	3/8-16 UNC	0.875	0.625	3/16 x 3/32	1.25	1	1/4 x 1/8	19.41