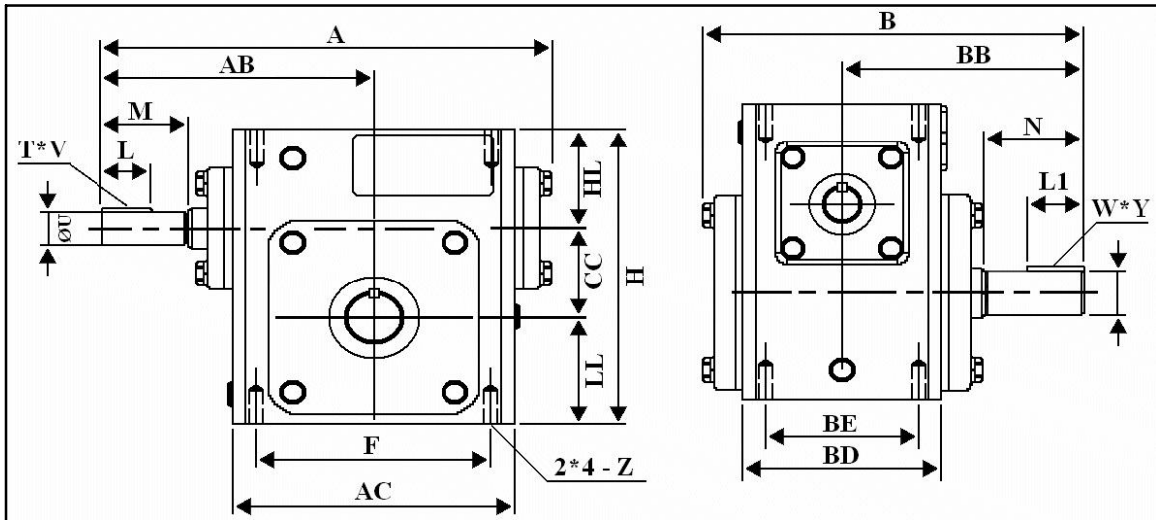




TM-RS Series

Worm Gear Speed Reducers

Shaft Input – Shaft Output Dimensions



DIMENSIONS – Inches

Size	A	AB	AC	B	BB	BD	BE	CC	F	H	HL	LL	M	N
237	9.69	5.75	6.378	7.948	5.087	4.055	2.88	2.375	5	6.937	2.062	2.5	2	2.37

Size	Z	Input Shaft			Output Shaft			OIL (Oz.)
		L	U	T x V	L1	S	W x Y	
237	3/8-16 UNC	1	0.75	3/16 x 3/32	1.25	1.125	1/4 x 1/8	24.07