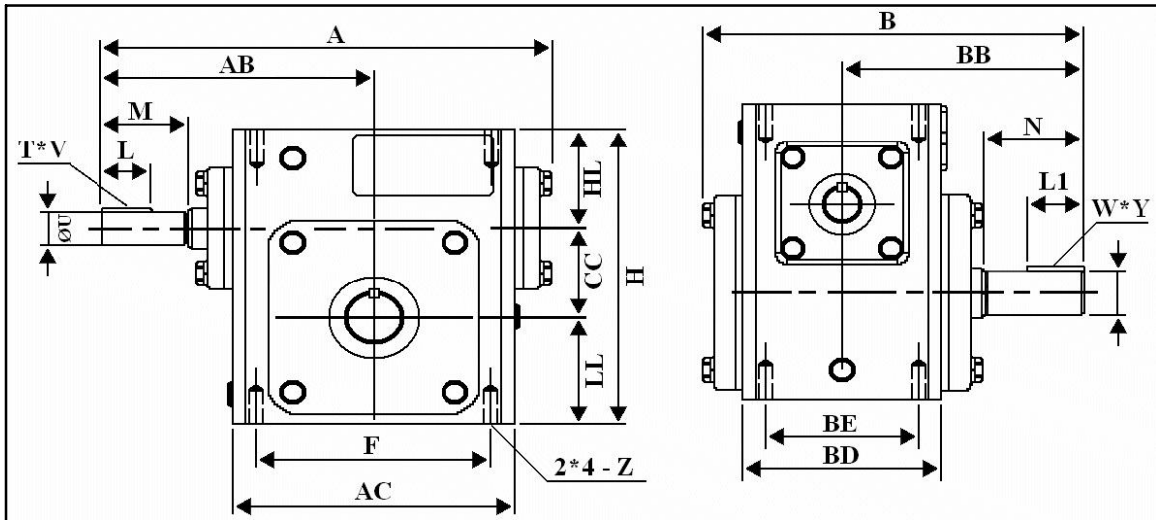




## TM-RS Series

### Worm Gear Speed Reducers

### Shaft Input – Shaft Output Dimensions



### DIMENSIONS – Inches

Size	A	AB	AC	B	BB	BD	BE	CC	F	H	HL	LL	M	N
262	10.61	6.309	7.165	8.872	5.63	4.685	3.375	2.625	6.375	8	2.437	2.938	2	2.626

Size	Z	Input Shaft			Output Shaft			OIL (Oz.)
		L	U	T x V	L1	S	W x Y	
262	3/8-16 UNC	1	0.75	3/16 x 3/32	2	1.125	1/4 x 1/8	34.55