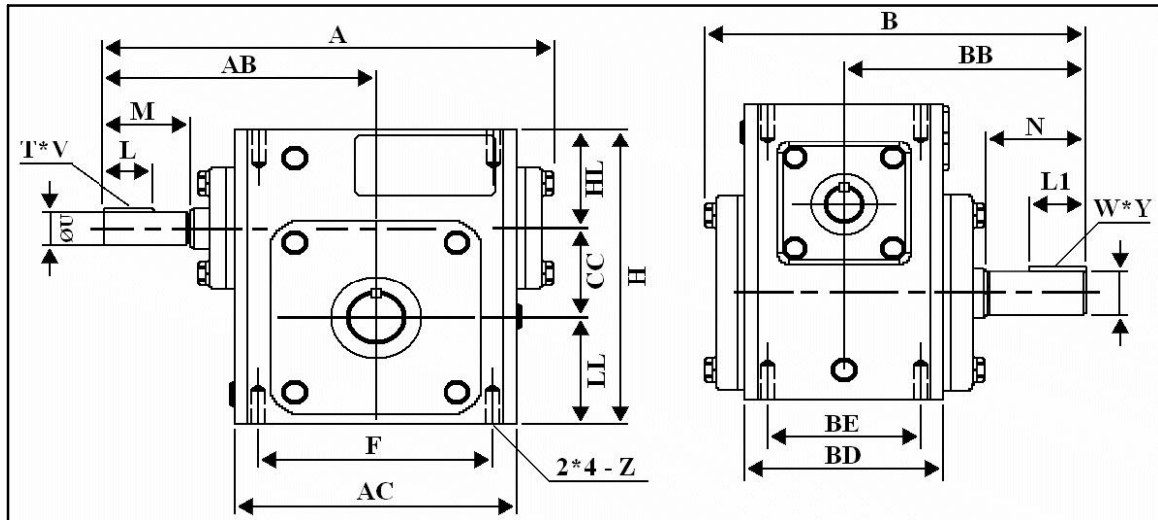




TM-RS Series

Worm Gear Speed Reducers

Shaft Input – Shaft Output Dimensions



DIMENSIONS – Inches

Size	A	AB	AC	B	BB	BD	BE	CC	F	H	HL	LL	M	N
325	12.74	7.441	9.016	11.01	7.059	5.748	4	3.25	7.5	9.375	2.625	3.5	2.343	3.25

Size	Z	Input Shaft			Output Shaft			OIL (Oz.)
		L	U	T x V	L1	S	W x Y	
325	7/16-14 UNC	1	0.875	3/16 x 3/32	2.438	1.375	5/16 x 5/32	73.75